

**Crank Handles** • Stainless steel precision casting

24330.0530



**Product Description**

Flat side of the hub is machined.

**Material**

**Axle part**

- Stainless steel 1.4301

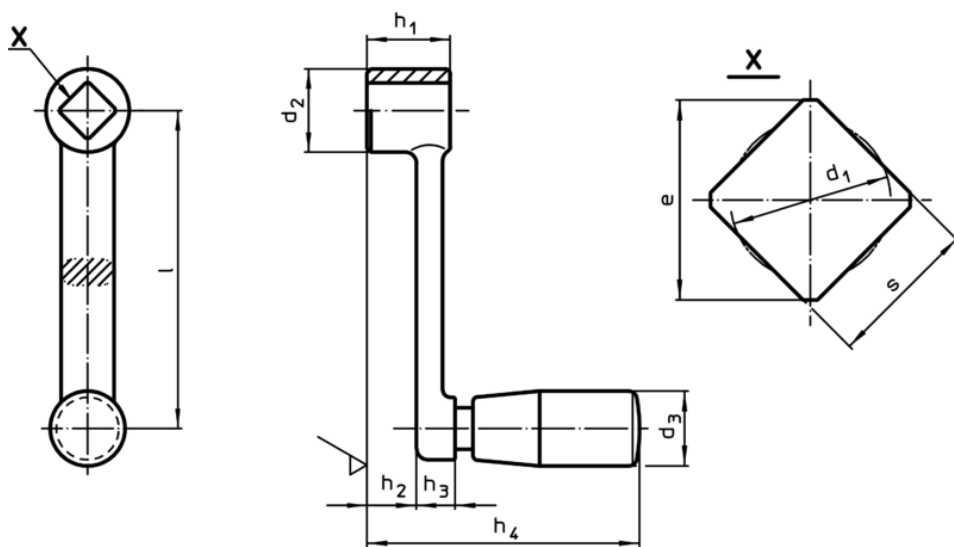
**Handle body**

- Stainless steel 1.4308


**Cylindrical handle**

- Thermosetting plastic PF 31, black

**Drawing**



**Order information**

Dimensions									d <sub>3</sub> Cylindrical handle Ø EH 24530.		Art. No.
l	s H11	e min.	d <sub>1</sub> max.	d <sub>2</sub>	h <sub>1</sub>	h <sub>2</sub> ~	h <sub>3</sub>	h <sub>4</sub> ~			
[mm]									[mm]	[g]	
100	12	16,1	12,6	26	26	17,7	8,3	78,5	21	187	24330.0530

Application example

