

**Crank Handles** • Stainless steel precision casting

24330.0520



**Product Description**

Flat side of the hub is machined.

**Material**

**Axle part**

- Stainless steel 1.4301

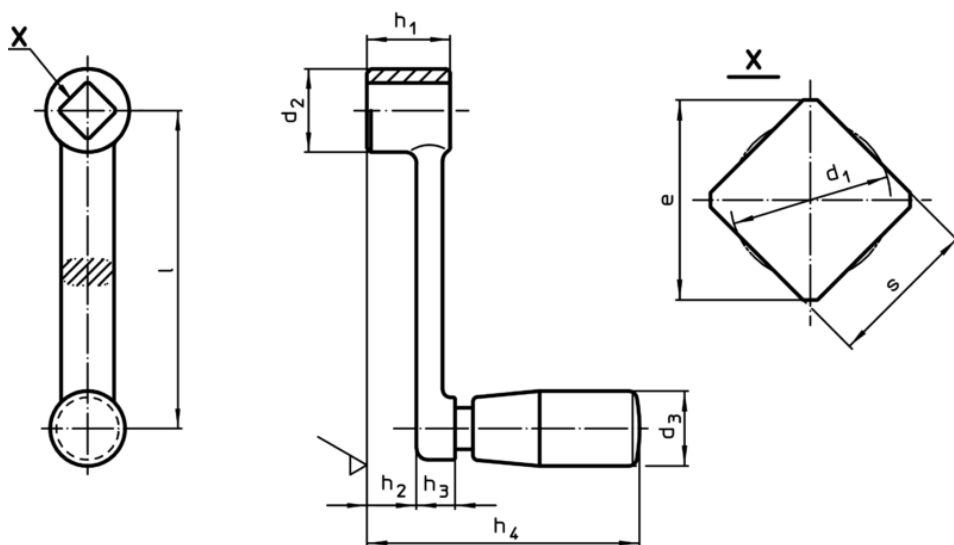
**Handle body**

- Stainless steel 1.4308

**Cylindrical handle**

- Thermosetting plastic PF 31, black

**Drawing**



**Order information**

Dimensions									$d_3$ Cylindrical handle Ø EH 24530.		Art. No.
$l$	$s$ H11	$e$ min.	$d_1$ max.	$d_2$	$h_1$	$h_2$ ~	$h_3$	$h_4$ ~			
[mm]									[mm]	[g]	
80	10	13,1	10,5	22	22	15,4	6,6	64,5	18	124	24330.0520

Application example

