

Crank Handles

24330.0436



Product Description

Material

Handle body

- Zinc die-cast, plastic coated, black, matt structure

Cylindrical handle

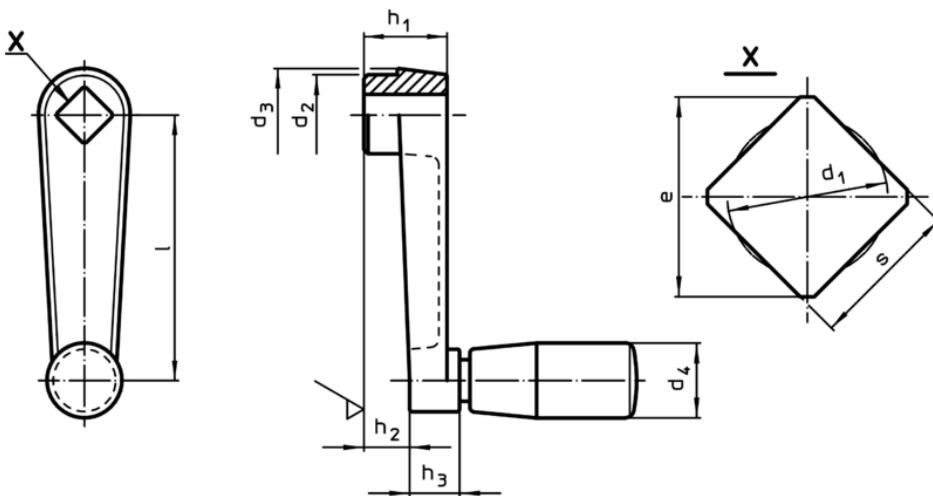
- Thermosetting plastic PF 31, black

More information

References

Alternative to crank handles DIN 469.

Drawing



Order information

Dimensions									d_4	🌡️	📦	Art. No.
l	s	e	d_1	d_2	d_3	h_1	h_2	h_3	Cylindrical handle Ø	max.		
[mm]									[mm]	[°C]	[g]	
100	12	16,1	12,6	27	30	28	17	15	EH 24530.	80	270	24330.0436

Zinc die-cast

Application example

