

Crank Handles

24330.0424



Product Description

Material

Handle body

- Zinc die-cast, plastic coated, black, matt structure

Cylindrical handle

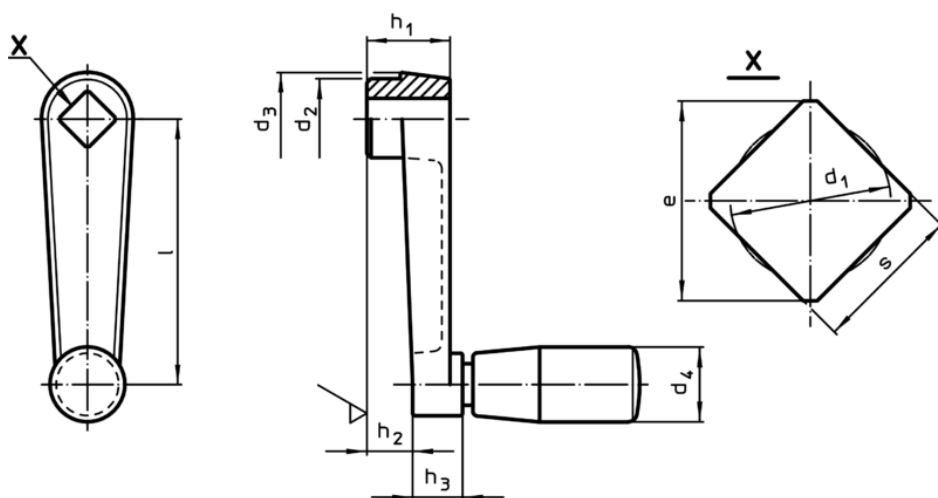
- Thermosetting plastic PF 31, black

More information

References

Alternative to crank handles DIN 469.

Drawing



Order information

Dimensions									d ₄	🌡️	📦	Art. No.
l	s	e	d ₁	d ₂	d ₃	h ₁	h ₂	h ₃	Cylindrical handle Ø	max.		
[mm]									[mm]	[°C]	[g]	
80	10	13,1	10,5	23	26	24	14	14	EH 24530.	80	166	24330.0424

Zinc die-cast

Application example

