

Crank Handles

24330.0414



Product Description

Material

Handle body

- Aluminium, plastic coated, black, matt structure

Cylindrical handle

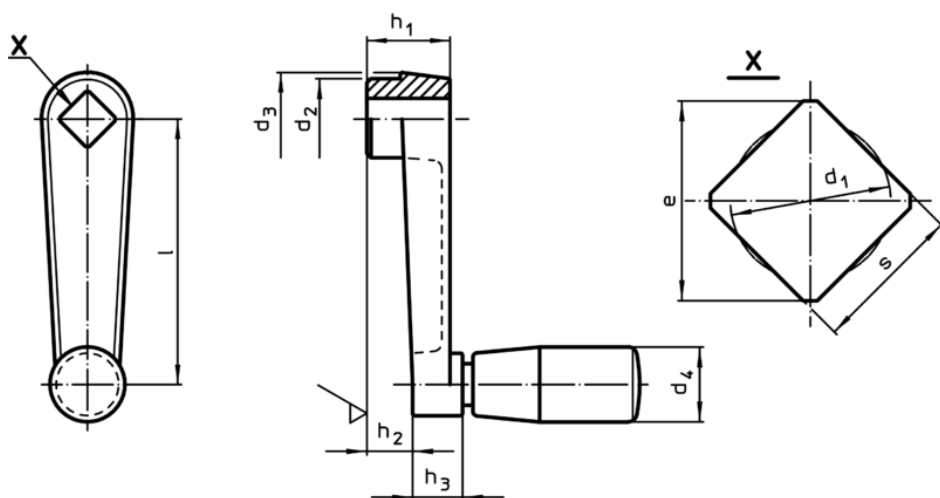
- Thermosetting plastic PF 31, black

More information

References

Alternative to crank handles DIN 469.

Drawing



Order information

Dimensions									d_4	🌡️	📦	Art. No.
l	s	e	d_1	d_2	d_3	h_1	h_2	h_3	Cylindrical handle Ø	max.		
[mm]									[mm]	[°C]	[g]	
Aluminium									EH 24530.			
125	14	18,1	14,7	32	35	34	22	18	26	80	251	24330.0414

Application example

