

Crank Handles

24330.0412



Product Description

Material

Handle body

- Aluminium, plastic coated, black, matt structure

Cylindrical handle

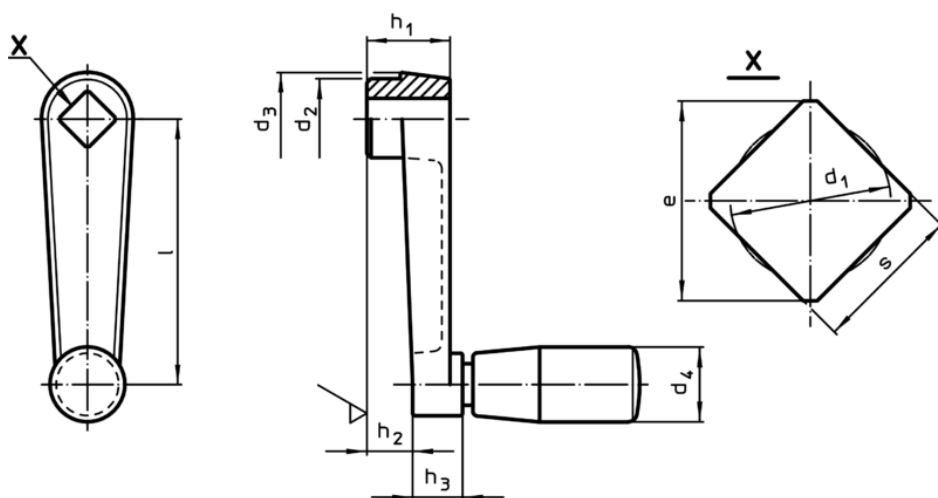
- Thermosetting plastic PF 31, black

More information

References

Alternative to crank handles DIN 469.

Drawing



Order information

Dimensions									d ₄	🌡️	📦	Art. No.
l	s	e	d ₁	d ₂	d ₃	h ₁	h ₂	h ₃	Cylindrical handle Ø	max.		
	H11	min.	max.				~		EH 24530.	[°C]	[g]	
[mm]												
Aluminium												
100	12	16,1	12,6	27	30	28	17	15	23	80	161	24330.0412

Application example

