

## Crank Handles• DIN 468 goose-neck form with square end DIN 79

24330.0370



### Product Description

With these crank handles, the seam is ground and blasted. The hub is machined.

### Material

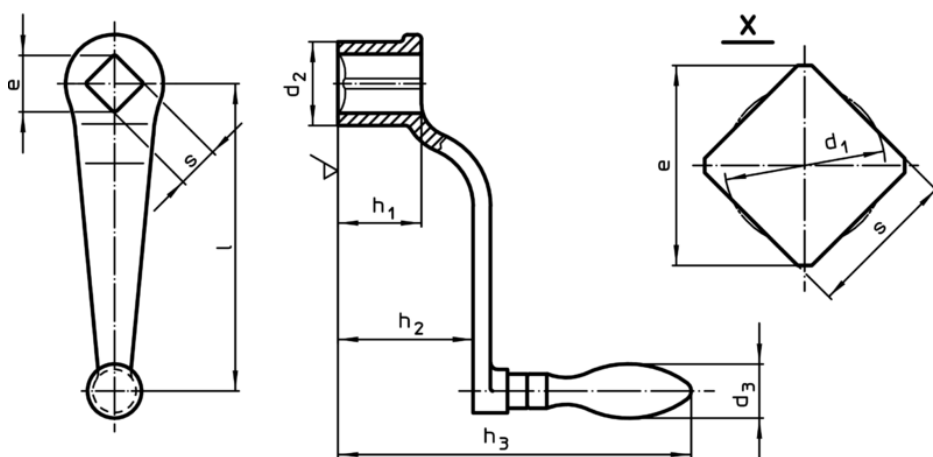
#### Machine handle

- Steel, turned, zinc-plated by galvanization, passivated

#### Handle body

- Nodular cast iron, plastic coated, black

### Drawing



### Order information

l	s H11	e min.	Dimensions					d <sub>3</sub> Machine handle Ø [mm]	[g]	Art. No.
			d <sub>1</sub> [mm]	d <sub>2</sub>	h <sub>1</sub>	h <sub>2</sub> ~	h <sub>3</sub>			
<b>with mounted machine handle EH 24450., DIN 39</b>										
250	22	28,2	23,1	48	48	90	209	32	1438	24330.0370