

Crank Handles• DIN 468 goose-neck form with square end DIN 79
24330.0341



Product Description

With these crank handles, the seam is ground and blasted. The hub is machined.

Material

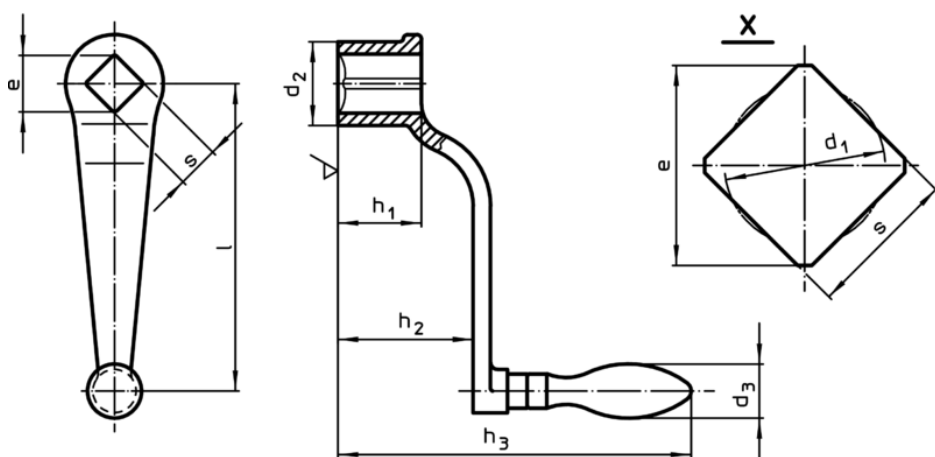
Machine handle

- Steel, turned, zinc-plated by galvanization, passivated


Handle body

- Nodular cast iron, plastic coated, black

Drawing



Order information

l	s H11	e min.	Dimensions					d ₃ Machine handle Ø	 [g]	Art. No.
			d ₁	d ₂	h ₁	h ₂ ~	h ₃			
with mounted machine handle EH 24450., DIN 39										
125	17	22,2	17,9	34	34	55	148	22	439	24330.0341