

## Crank Handles• DIN 468 goose-neck form with square end DIN 79

24330.0281



### Product Description

With these crank handles, the seam is ground and blasted. The hub is machined.

### Material

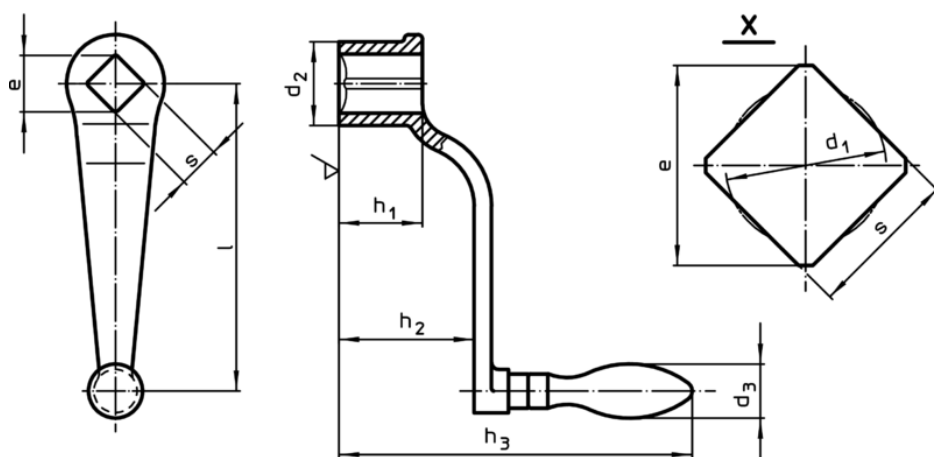
#### Machine handle

- Steel, turned, zinc-plated by galvanization, passivated

#### Handle body

- Nodular cast iron, plastic coated, black

### Drawing



### Order information

l	s H11	e min.	Dimensions					d <sub>3</sub> Machine handle Ø [mm]	[g]	Art. No.
			d <sub>1</sub> [mm]	d <sub>2</sub> [mm]	h <sub>1</sub> [mm]	h <sub>2</sub> [mm]	h <sub>3</sub> [mm]			
<b>with rotating machine handle EH 24460., DIN 98</b>										
315	27	36,2	28,4	54	54	105	248	36	2200	24330.0281