

Crank Handles• DIN 468 goose-neck form with square end DIN 79

24330.0271



Product Description

With these crank handles, the seam is ground and blasted. The hub is machined.

Material

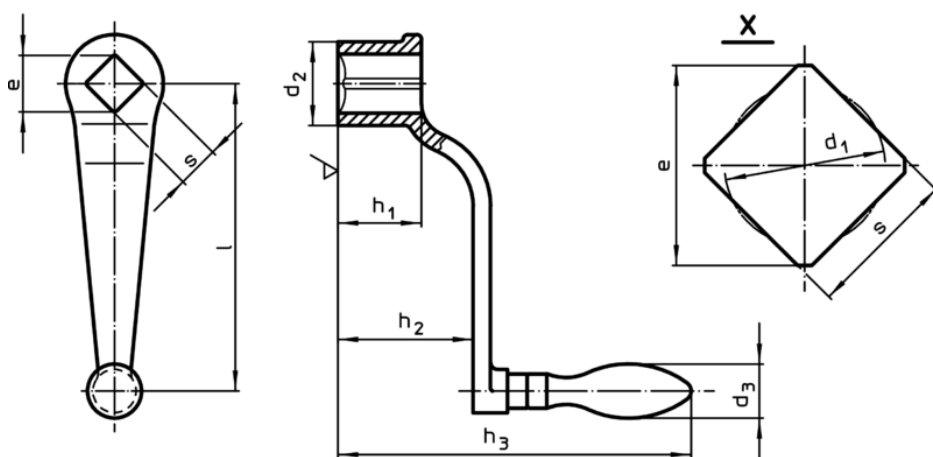
Machine handle

- Steel, turned, zinc-plated by galvanization, passivated

Handle body

- Nodular cast iron, plastic coated, black

Drawing



Order information

| l | s H11 | e min. | Dimensions | | | | | d ₃ Machine handle Ø [mm] | [g] | Art. No. |
|--|----------|-----------|------------------------|----------------|----------------|---------------------|----------------|--|------|------------|
| | | | d ₁ [mm] | d ₂ | h ₁ | h ₂ ~ | h ₃ | | | |
| with rotating machine handle EH 24460., DIN 98 | | | | | | | | | | |
| 250 | 24 | 32,2 | 25,3 | 48 | 48 | 90 | 214 | 32 | 1478 | 24330.0271 |