

Crank Handles• DIN 468 goose-neck form with square end DIN 79

24330.0260



Product Description

With these crank handles, the seam is ground and blasted. The hub is machined.

Material

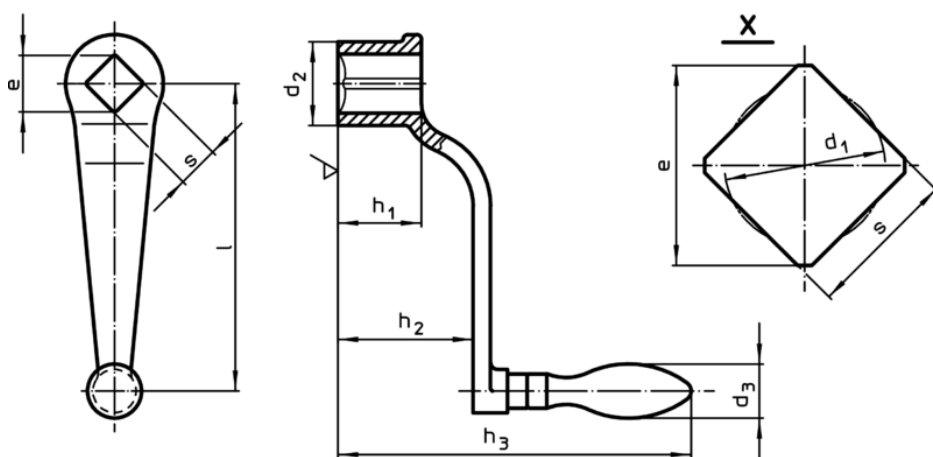
Machine handle

- Steel, turned, zinc-plated by galvanization, passivated

Handle body

- Nodular cast iron, plastic coated, black

Drawing



Order information

l	s H11	e min.	Dimensions					d ₃ Machine handle Ø	[g]	Art. No.
			d ₁	d ₂	h ₁	h ₂	h ₃			
with rotating machine handle EH 24460., DIN 98										
200	19	25,2	20	44	44	78	202	28	1083	24330.0260