

Crank Handles• DIN 469 straight, with square end DIN 79
24330.0131



Product Description

With these crank handles, the seam is ground and blasted. The hub is machined.

Material

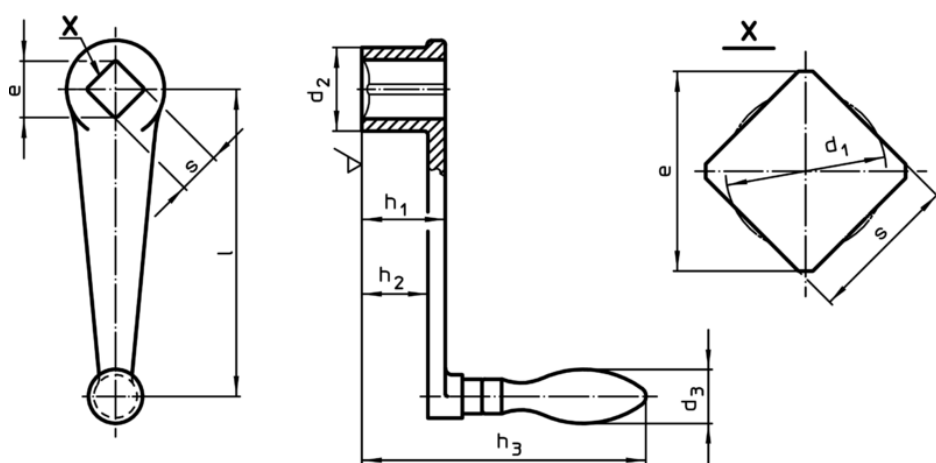
Machine handle

- Steel, turned, zinc-plated by galvanization, passivated

Handle body

- Nodular cast iron, plastic coated, black

Drawing



Order information

l	s H11	e min.	Dimensions					d ₃ Machine handle Ø [mm]	[g]	Art. No.
			d ₁ [mm]	d ₂	h ₁	h ₂ ~	h ₃			
with mounted machine handle EH 24450., DIN 39										
100	14	18,1	14,7	28	28	21	98	20	259	24330.0131