

**Crank Handles**• DIN 469 straight, with square end DIN 79  
24330.0051



**Product Description**

With these crank handles, the seam is ground and blasted. The hub is machined.

**Material**

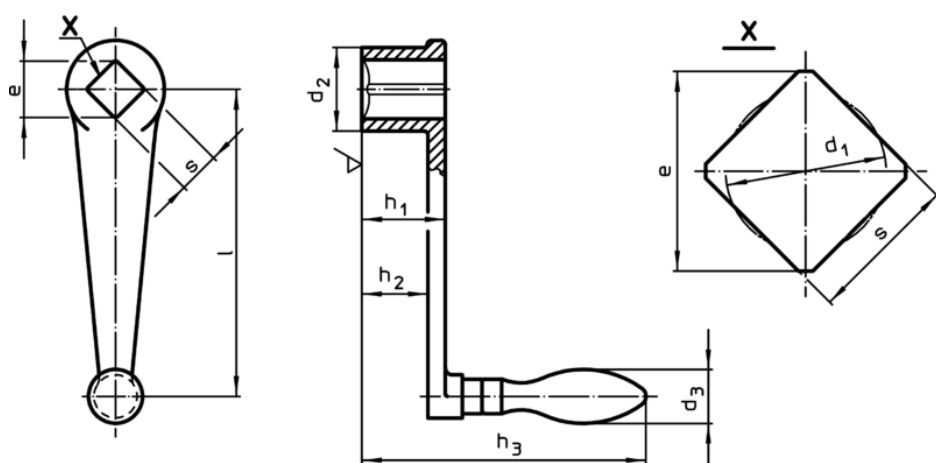
**Machine handle**

- Steel, turned, zinc-plated by galvanization, passivated

**Handle body**

- Nodular cast iron, plastic coated, black

**Drawing**



**Order information**

l	s H11	e min.	Dimensions					d <sub>3</sub> Machine handle Ø	[g]	Art. No.
			d <sub>1</sub>	d <sub>2</sub>	h <sub>1</sub>	h <sub>2</sub>	h <sub>3</sub>			
with rotating machine handle EH 24460., DIN 98										
160	19	25,2	20	38	38	29	126	25	665	24330.0051