

**Crank Handles**• DIN 469 straight, with square end DIN 79  
24330.0010



**Product Description**

With these crank handles, the seam is ground and blasted. The hub is machined.

**Material**

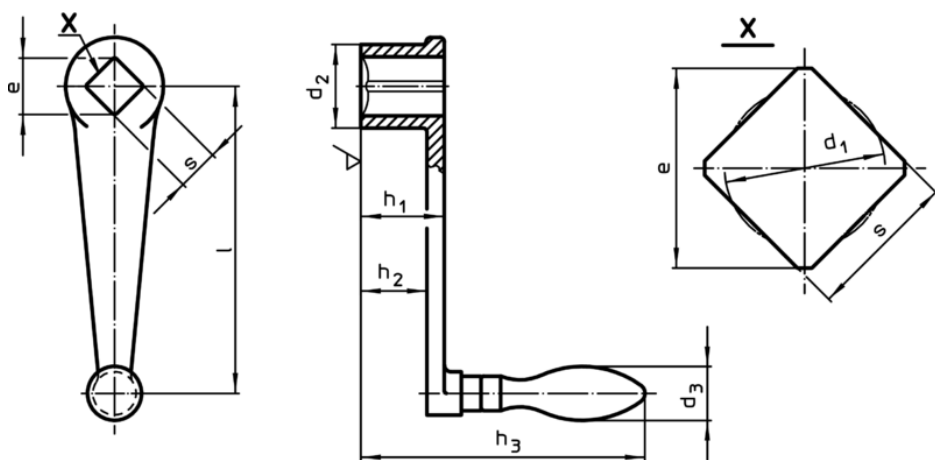
**Machine handle**

- Steel, turned, zinc-plated by galvanization, passivated

**Handle body**

- Cast iron (GTW), plastic coated, black

**Drawing**



**Order information**

l	s H11	e min.	Dimensions					d <sub>3</sub> Machine handle Ø	[g]	Art. No. <sup>1)</sup>
			d <sub>1</sub> [mm]	d <sub>2</sub>	h <sub>1</sub>	h <sub>2</sub> ~	h <sub>3</sub>			
with rotating machine handle EH 24460., DIN 98										
63	10	13,1	10,5	20	20	15	79	16	118	24330.0010

<sup>1)</sup> Handle body made from cast iron (GTW)