

**U-Handles· Plastic**  
24320.0240

**Product Description**



**Material**

**Bushing**  
• Brass

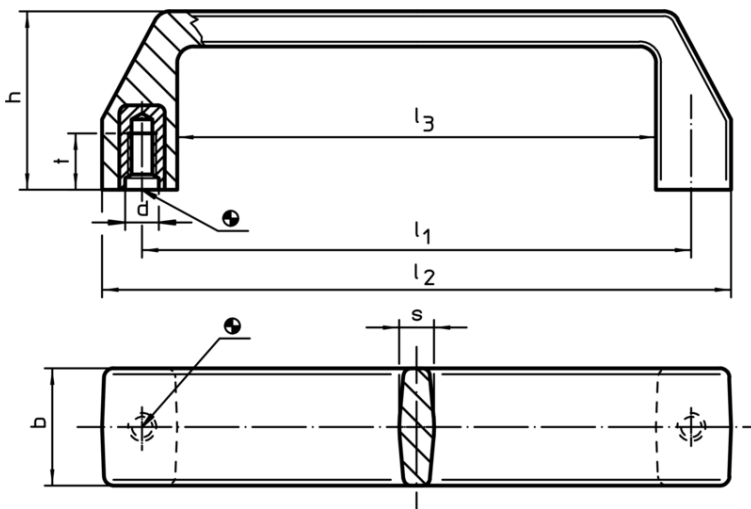
**Handle**

• Thermoplastic PA, glass-fibre reinforced,  
black

**Assembly**

Back mount handle.

**Drawing**



**Order information**

Dimensions								max. [°C]	[g]	Art. No.
$l_1$ $\pm 0,5$	d	b	h	$l_2$	$l_3$	s	t			
132	M8	26	45	150	116	8	13	100	59	24320.0240

**Application example**

