

U-Handles· Plastic

24320.0210

Product Description



Material

**Bushing**  
• Brass

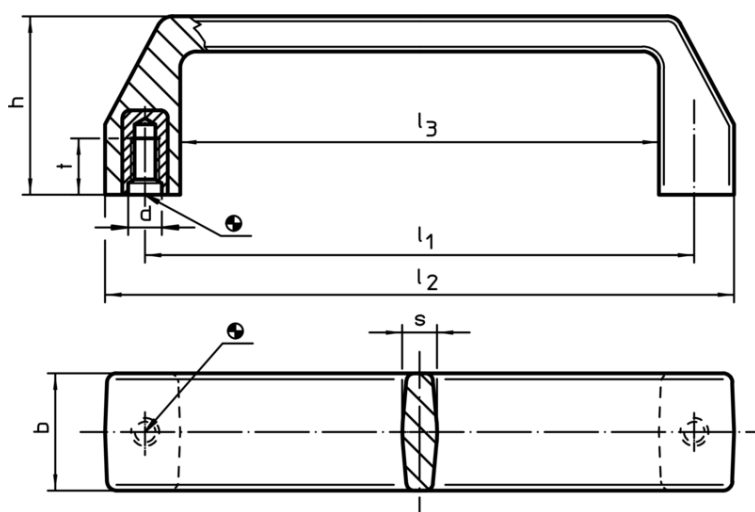
**Handle**

• Thermoplastic PA, glass-fibre reinforced, black

Assembly

Back mount handle.

Drawing



Order information

Dimensions								max. [°C]	[g]	Art. No.
$l_1$ $\pm 0,5$	d	b	h	$l_2$	$l_3$	s	t			
93,5	M6	21	36	107	79	6	10	100	31	24320.0210

Application example

