

**U-Handles**· plastic, front mounting

24320.0050

**Product Description**



**Material**

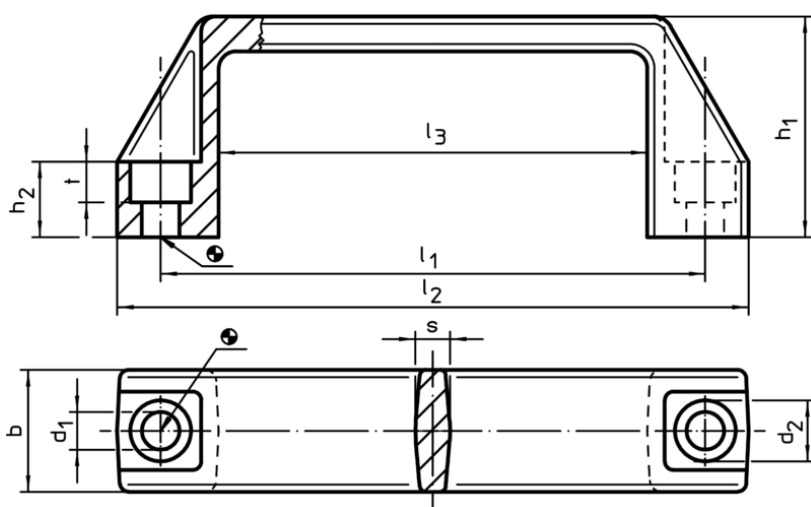
**Handle**

- Thermoplastic PA, glass-fibre reinforced, black

**Assembly**

Front mount handle.

**Drawing**



**Order information**

Dimensions										🌡️ max. [°C]	📦 [g]	Art. No. <b>24320.0050</b>
$l_1$ ±0,5	$d_1$	$b$	$l_2$	$d_2$	$h_1$	$h_2$	$l_3$	$s$	$t$			
[mm]												
235	10,5	30	260	16,5	54	20	201	8,5	10,5	100	118	

**Application example**

