

U-Handles· plastic, front mounting

24320.0040

Product Description



Material

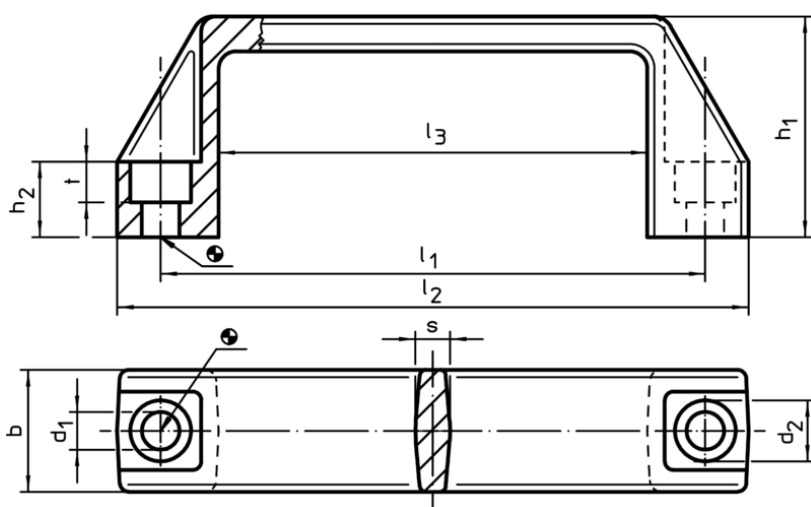
Handle

- Thermoplastic PA, glass-fibre reinforced, black

Assembly

Front mount handle.

Drawing



Order information

Dimensions										max. [°C]	[g]	Art. No.
l_1 $\pm 0,5$	d_1	b	l_2	d_2	h_1	h_2	l_3	s	t			
179	8,5	28	196	13,5	50	17	151	7,5	8,5	100	70	24320.0040

Application example

