

U-Handles· plastic, front mounting

24320.0020

Product Description



Material

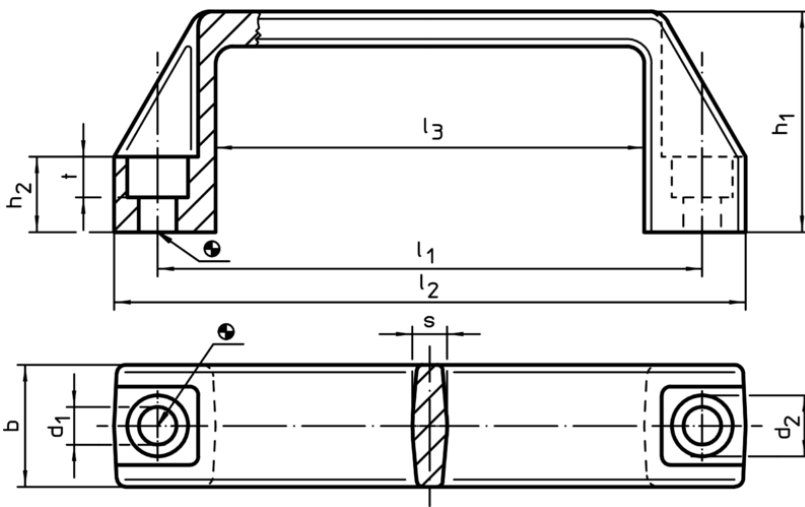
Handle

- Thermoplastic PA, glass-fibre reinforced, black

Assembly

Front mount handle.

Drawing



Order information

Dimensions										max. [°C]	[g]	Art. No.
l_1 $\pm 0,5$	d_1	b	l_2	d_2	h_1	h_2	l_3	s	t			
117	8,5	26	137	13,5	41	15	93	7	8,5	100	44	24320.0020

Application example

