

U-Handles· plastic, front mounting

24320.0010

Product Description



Material

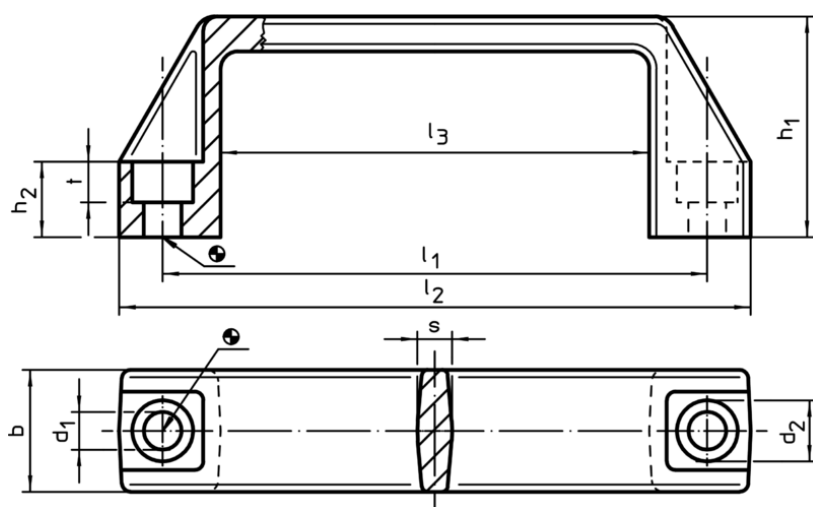
Handle

- Thermoplastic PA, glass-fibre reinforced, black

Assembly

Front mount handle.

Drawing



Order information

| Dimensions | | | | | | | | | | 🌡️ max. [°C] | 📦 [g] | Art. No. |
|--------------------|-------|-----|-------|-------|-------|-------|-------|-----|-----|--------------------|----------|------------|
| l_1 $\pm 0,5$ | d_1 | b | l_2 | d_2 | h_1 | h_2 | l_3 | s | t | | | |
| [mm] | | | | | | | | | | 100 | 26 | 24320.0010 |

Application example

