

**U-Handles**  
24310.0770



**Product Description**

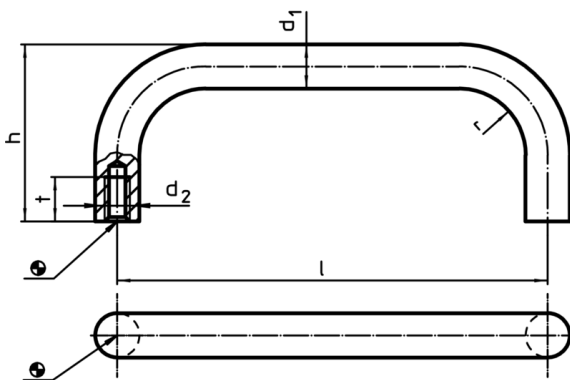
Same design as version with bearing washer.  
Thanks to the larger supporting surface, no bearing washers are needed.

**Material**

**Handle**

- Stainless steel 1.4301, dull blasted

**Drawing**



**Order information**

d <sub>1</sub>	l ±0,5	Dimensions				t min.	[g]	Art. No.
		d <sub>2</sub>	h	r	[mm]			
16	250	M6	59	18	12	523	24310.0770	