

U-Handles

24310.0740



Product Description

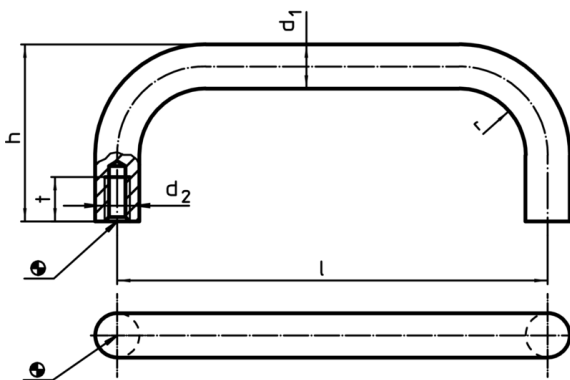
Same design as version with bearing washer.
Thanks to the larger supporting surface, no bearing washers are needed.

Material

Handle

- Stainless steel 1.4301, dull blasted

Drawing



Order information

d ₁	l ±0,5	Dimensions				t min.	[g]	Art. No.
		d ₂	h	r	[mm]			
12	250	M6	51	14	12	282	24310.0740	