

U-Handles
24310.0730



Product Description

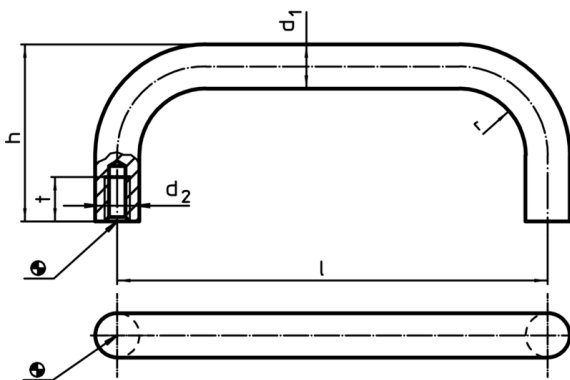
Same design as version with bearing washer.
Thanks to the larger supporting surface, no bearing washers are needed.

Material

Handle

- Stainless steel 1.4301, dull blasted

Drawing



Order information

Dimensions						[g]	Art. No.
d_1	l $\pm 0,5$	d_2	h	r	t min.		
12	200	M6	51	14	12	237	24310.0730