

U-Handles with support washer

24310.0670



Product Description

Material

Handle

- Stainless steel 1.4305, dull blasted

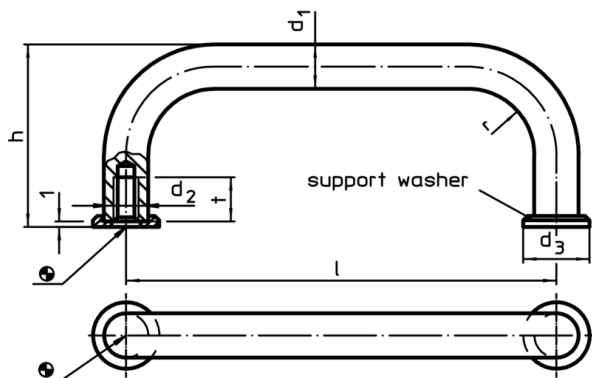
Support washer

- Stainless steel

Assembly

The supporting washer provides a good surface. Suitable washers are joined in loose form.

Drawing



Order information

d ₁	l ±0,5	d ₂	Dimensions				t min.	[g]	Art. No.
			d ₃	h	r	[mm]			
Stainless steel									
10	235	M5	15	43	12	12	183	24310.0670	