

U-Handles with support washer

24310.0660



Product Description

Material

Handle

- Stainless steel 1.4305, dull blasted

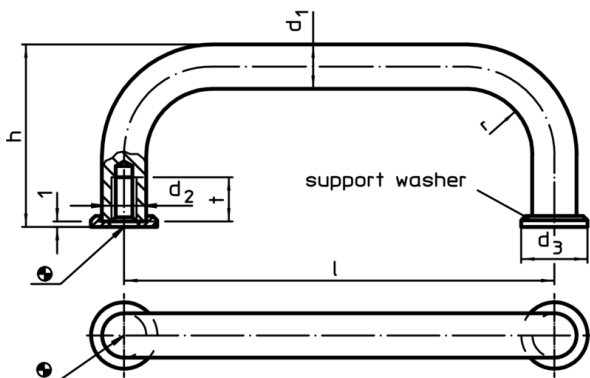
Support washer

- Stainless steel

Assembly

The supporting washer provides a good surface. Suitable washers are joined in loose form.

Drawing



Order information

d_1	l $\pm 0,5$	d_2	Dimensions					Art. No.
			d_3	h	r	t min.	[g]	
								[mm]
Stainless steel								
10	200	M5	15	43	12	12	161	24310.0660