

## U-Handles with support washer

24310.0630



### Product Description

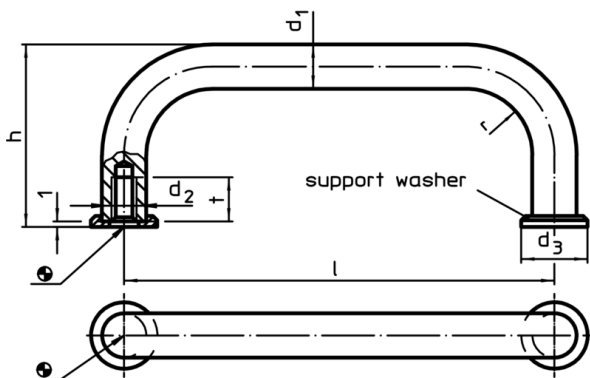
#### Material

- Handle**
- Stainless steel 1.4305, dull blasted
- Support washer**
- Stainless steel

#### Assembly

The supporting washer provides a good surface. Suitable washers are joined in loose form.

### Drawing



### Order information

d <sub>1</sub>	l ±0,5	d <sub>2</sub>	Dimensions				t min.	[g]	Art. No.
			d <sub>3</sub>	h	r	[mm]			
Stainless steel									
10	100	M5	15	43	12	12	98	24310.0630	