

U-Handles with support washer

24310.0520



Product Description

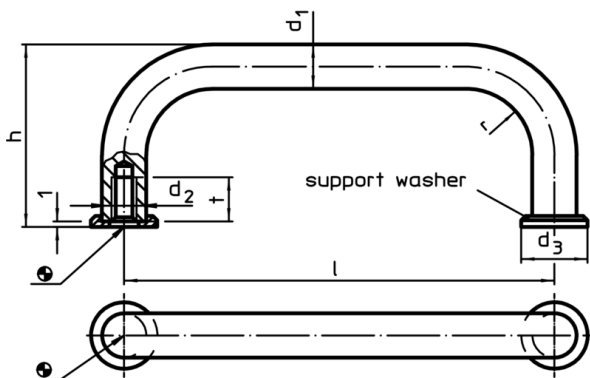
Material

- Handle**
- Stainless steel 1.4305, dull blasted
- Support washer**
- Stainless steel

Assembly

The supporting washer provides a good surface. Suitable washers are joined in loose form.

Drawing



Order information

d ₁	l ±0,5	d ₂	Dimensions				[g]	Art. No.
			d ₃	h	r	t min.		
[mm]								
Stainless steel								
8	64	M4	12	35	10	8	44	24310.0520