

U-Handles with support washer

24310.0470

Product Description



Material

Handle

- Steel, plastic coated, black

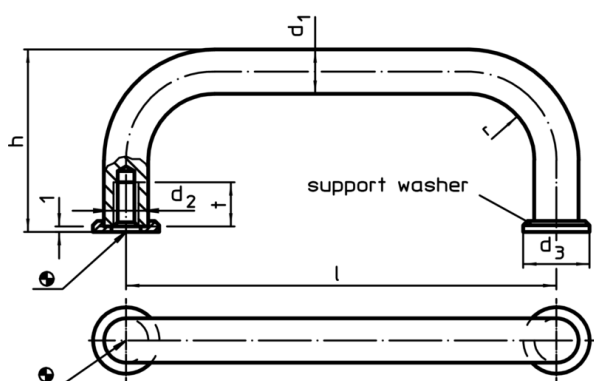
Support washer

- Zinc die-cast, nickel-plated

Assembly

The supporting washer provides a good surface. Suitable washers are joined in loose form.

Drawing



Order information

d ₁	l ±0,5	d ₂	Dimensions				[g]	Art. No.
			d ₃ [mm]	h	r	t min.		
Steel								
10	235	M5	15	43	12	12	183	24310.0470