

U-Handles with support washer

24310.0460

Product Description



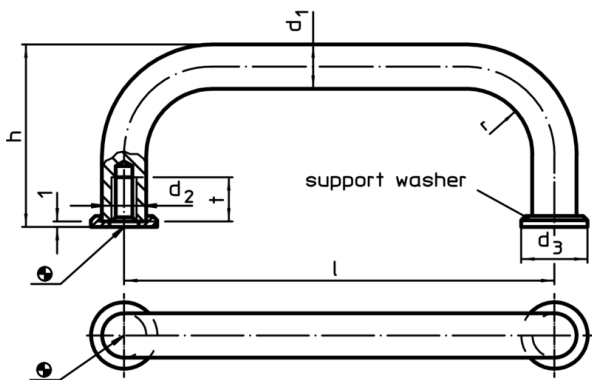
Material

- Handle**
- Steel, plastic coated, black
- Support washer**
- Zinc die-cast, nickel-plated

Assembly

The supporting washer provides a good surface. Suitable washers are joined in loose form.

Drawing



Order information

d ₁	l ±0,5	d ₂	Dimensions				t min.	[g]	Art. No.
			d ₃	h	r	[mm]			
Steel									
10	200	M5	15	43	12	12	161	24310.0460	