

U-Handles with support washer

24310.0310

Product Description



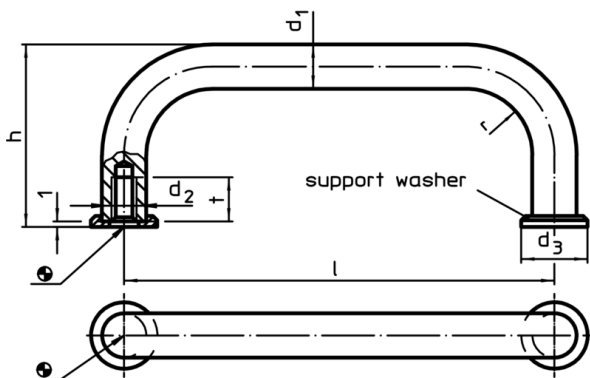
Material

- Handle**
- Steel, plastic coated, black
- Support washer**
- Zinc die-cast, nickel-plated


Assembly

The supporting washer provides a good surface. Suitable washers are joined in loose form.

Drawing



Order information

d_1	l $\pm 0,5$	d_2	Dimensions d_3 [mm]	h	r	t min.	 [g]	Art. No.
8	55	M4	12	35	10	8	40	24310.0310