

## U-Handles with support washer

24310.0110

### Product Description



#### Material

##### Handle

- Steel, chromium-plated

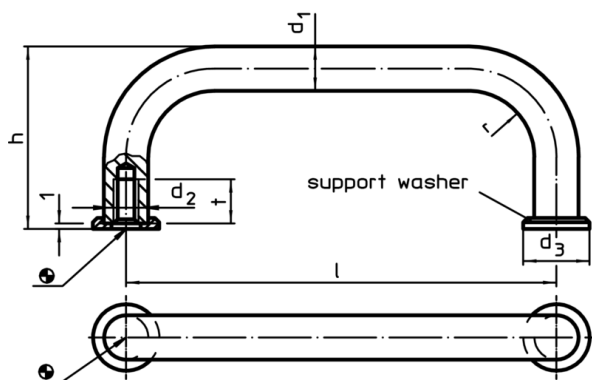
##### Support washer

- Zinc die-cast, nickel-plated


#### Assembly

The supporting washer provides a good surface. Suitable washers are joined in loose form.

### Drawing



### Order information

$d_1$	$l$ $\pm 0,5$	$d_2$	Dimensions $d_3$ [mm]	$h$	$r$	$t$ min.	 [g]	Art. No.
8	128	M4	12	35	10	8	69	24310.0110