

U-Handles with support washer

24310.0020

Product Description



Material

Handle

- Steel, chromium-plated

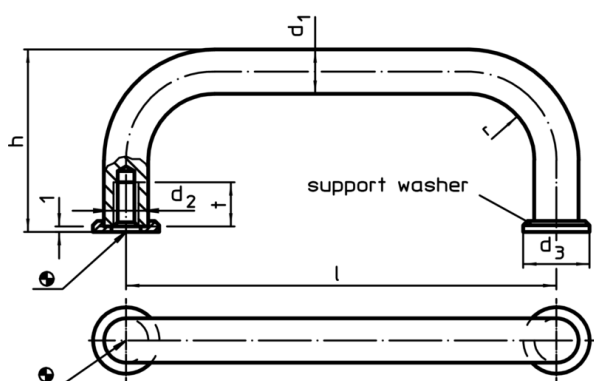
Support washer

- Zinc die-cast, nickel-plated


Assembly

The supporting washer provides a good surface. Suitable washers are joined in loose form.

Drawing



Order information

d_1	l $\pm 0,5$	d_2	Dimensions					Art. No.
			d_3	h	r	t min.	[g]	
Steel								
			[mm]					
8	64	M4	12	35	10	8	44	24310.0020