

U-Handles· front mounting

24300.0521



Product Description

Ergonomic design offering high stability and smooth surfaces.

Material

Handle

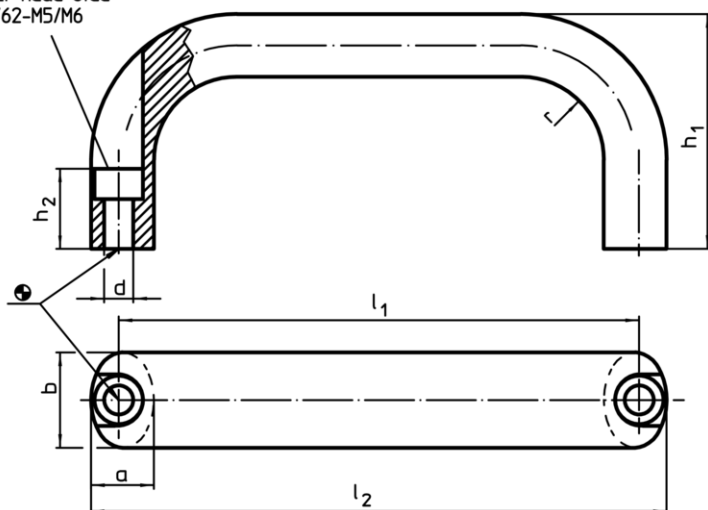
- Stainless steel

Assembly


Front mount handle.

Drawing

bore for
cylinder head stud
ISO 4762-M5/M6



Order information

b	l ₁ ±0,25	l ₂	Dimensions					For cylinder screw [mm]	 [g]	Art. No.
			a	d	h ₁	h ₂	r			
Stainless steel										
20	128	140	13	5,4	51	19	13	M5	293	24300.0521

Application example

