

U-Handles· front mounting

24300.0351



Product Description

Ergonomic design offering high stability and smooth surfaces.

Material

Handle

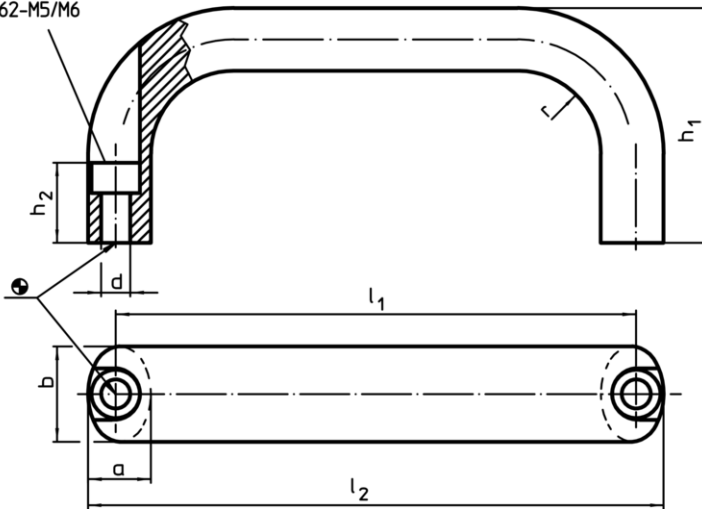
- Aluminium, plastic coated, similar to RAL 9005, black

Assembly


Front mount handle.

Drawing

bore for cylinder head stud
ISO 4762-M5/M6



Order information

Dimensions								For cylinder screw		Art. No.
b	l ₁ ±0,25	l ₂	a	d	h ₁	h ₂	r	[mm]	[g]	
[mm]								[mm]	[g]	
Aluminium, black										
26	132	146	17	6,4	55	17	17	M6	164	24300.0351

Application example

