

U-Handles· front mounting

24300.0341



Product Description

Ergonomic design offering high stability and smooth surfaces.

Material

Handle

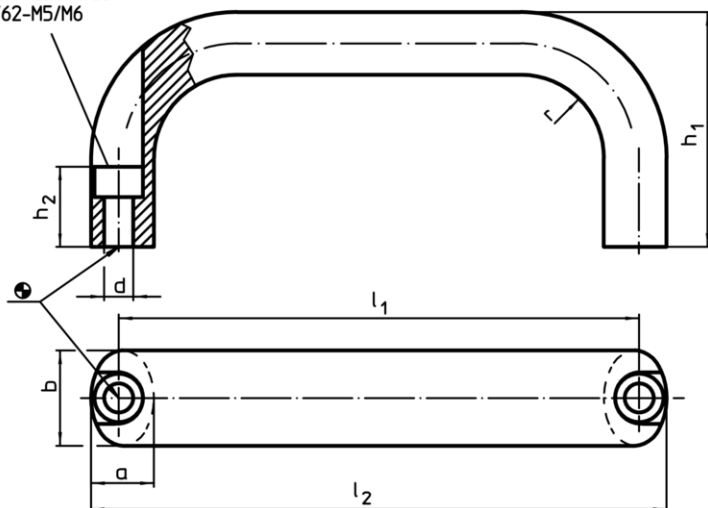
- Aluminium, plastic coated, similar to RAL 9005, black

Assembly

Front mount handle.

Drawing

bore for
cylinder head stud
ISO 4762-M5/M6



Order information

| b | l ₁ ±0,25 | l ₂ | Dimensions | | | | | For cylinder screw [mm] | [g] | Art. No. |
|------------------|-------------------------|----------------|------------|-----|----------------|----------------|----|----------------------------|-----|------------|
| | | | a | d | h ₁ | h ₂ | r | | | |
| Aluminium, black | | | | | | | | | | |
| 26 | 116 | 130 | 17 | 6,4 | 55 | 17 | 17 | M6 | 132 | 24300.0341 |

Application example

