

U-Handles· front mounting

24300.0171



Product Description

Ergonomic design offering high stability and smooth surfaces.

Material

Handle

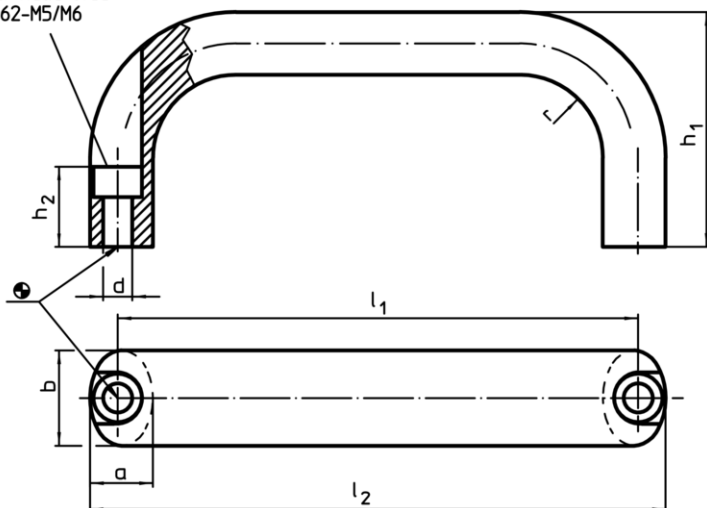
- Aluminium, drawn, bright, vibratory grinded

Assembly

Front mount handle.

Drawing

bore for
cylinder head stud
ISO 4762-M5/M6



Order information

b	l ₁ ±0,25	l ₂	Dimensions					For cylinder screw [mm]	[g]	Art. No.
			a	d	h ₁	h ₂	r			
Aluminium, bright										
26	196	210	17	6,4	57	17	17	M6	229	24300.0171

Application example

