

Retaining Catches· wing grip, one-sided

24101.0262



Product Description

To be used for door locking, drawers and as handling aid etc.
The retaining catch is indexing 4 x 90°.

Material

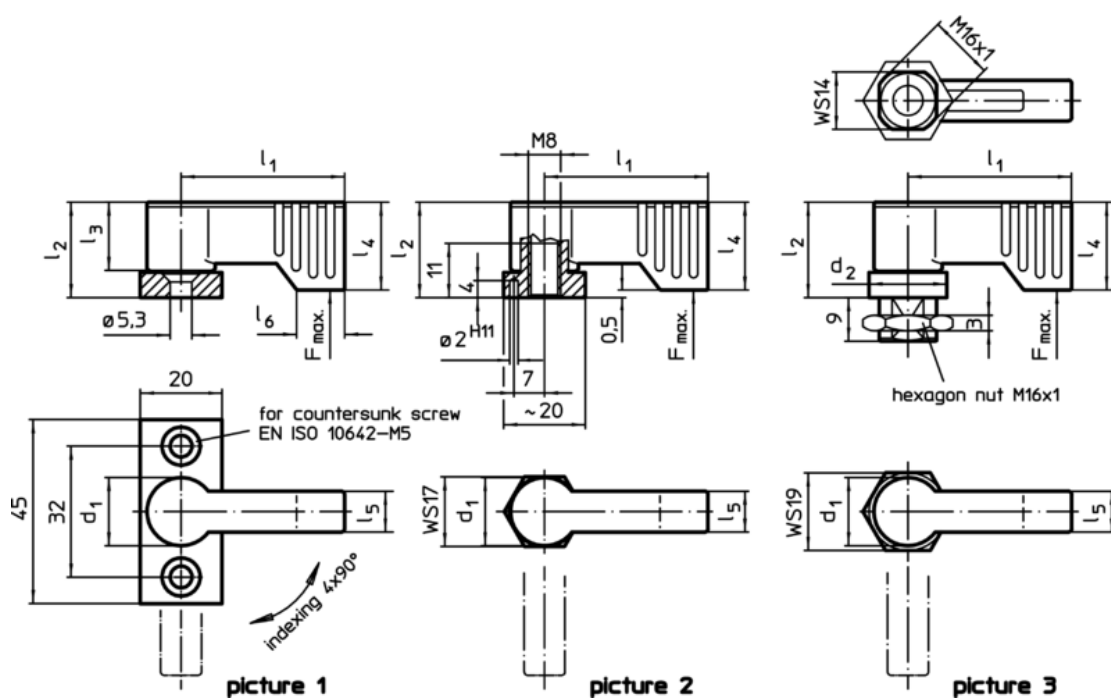
Lever

- Zinc die-cast, plastic coated, black, similar to RAL 9005, matt structure

Inner parts

- Steel
- Plastic

Drawing



Order information

Dimensions								Load capacity max.	[g]	Art. No.
d_1	d_2	l_1	l_2	l_3	l_4 min.	l_5	l_6			
with male thread – picture 3, black										
17	19	40	22	16,5	21,5	10	11	450	50	24101.0262

Application example

