

Retaining Catches· wing grip, one-sided

24101.0232

Product Description

To be used for door locking, drawers and as handling aid etc.
The retaining catch is indexing 4 x 90°.

Material

Lever

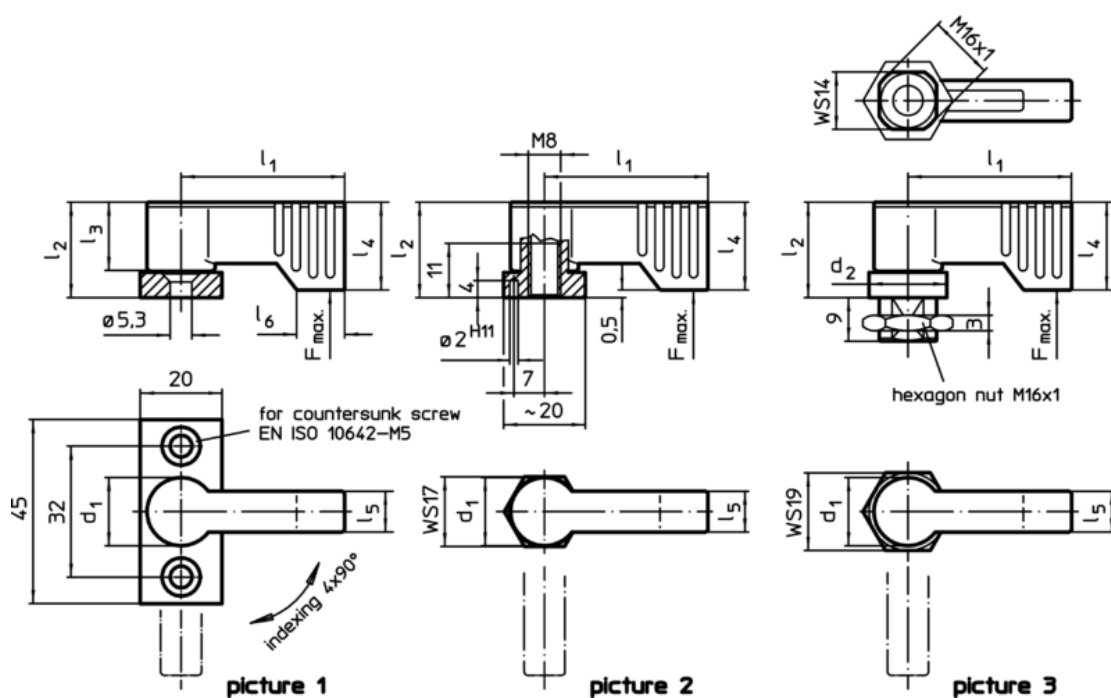
- Zinc die-cast, plastic coated, black, similar to RAL 9005, matt structure

Inner parts

- Steel
- Plastic



Drawing



Order information

Dimensions							Load capacity max.	[g]	Art. No.
d ₁	l ₁	l ₂	l ₃	l ₄ min.	l ₅	l ₆	[N]		
with female thread – picture 2, black									
17	40	22	16,5	21,5	10	11	450	57	24101.0232

Application example

