

Retaining Catches· wing grip, one-sided

24101.0231

Product Description

To be used for door locking, drawers and as handling aid etc.
The retaining catch is indexing 4 x 90°.

Material

Lever

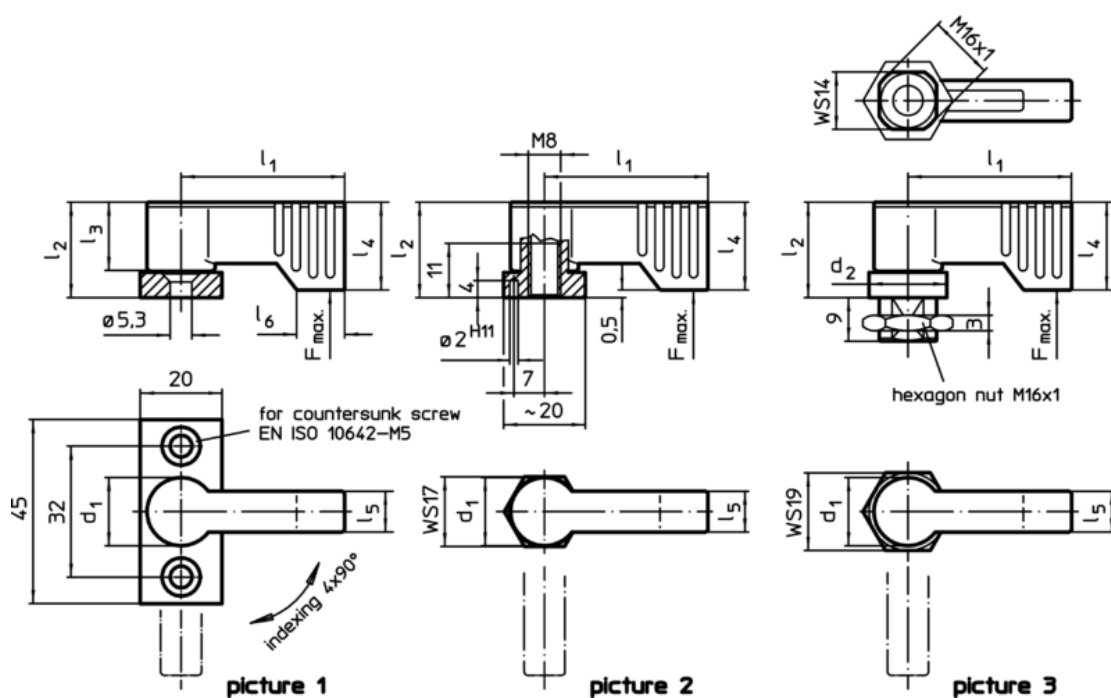
- Zinc die-cast, plastic coated, silver, similar to RAL 9006, matt structure

Inner parts

- Steel
- Plastic



Drawing



Order information

| Dimensions | | | | | | | Load capacity max. | [g] | Art. No. |
|--|----------------|----------------|----------------|---------------------|----------------|----------------|--------------------|-----|------------|
| d ₁ | l ₁ | l ₂ | l ₃ | l ₄ min. | l ₅ | l ₆ | [N] | | |
| with female thread – picture 2, silver | | | | | | | | | |
| 17 | 40 | 22 | 16,5 | 21,5 | 10 | 11 | 450 | 57 | 24101.0231 |

Application example

