

## Retaining Catches· wing grip, one-sided

24101.0202



### Product Description

To be used for door locking, drawers and as handling aid etc.  
The retaining catch is indexing 4 x 90°.

### Material

#### Flange

- Zinc die-cast, plastic coated, black

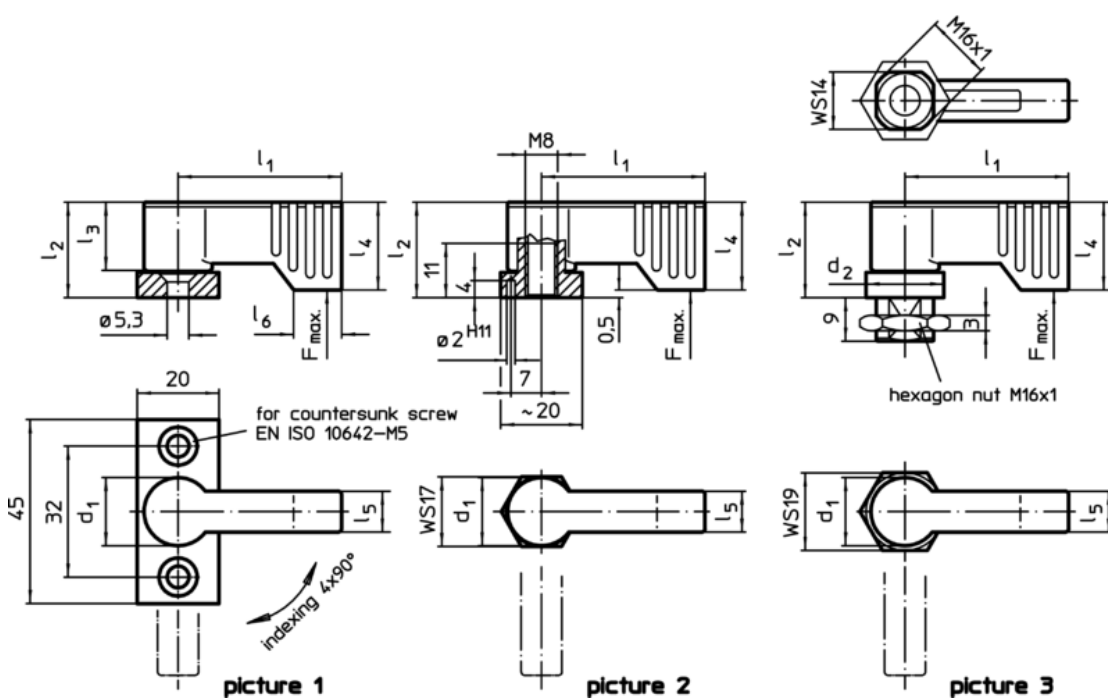
#### Lever

- Zinc die-cast, plastic coated, black, similar to RAL 9005, matt structure

#### Inner parts

- Zinc die-cast

### Drawing



### Order information

Dimensions							Load capacity max.	[g]	Art. No.
d <sub>1</sub>	l <sub>1</sub>	l <sub>2</sub>	l <sub>3</sub>	l <sub>4</sub> min.	l <sub>5</sub>	l <sub>6</sub>	[N]		
with mounting flange – picture 1, black									
17	40	22	16,5	21,5	10	11	450	20	24101.0202

Application example

