

Retaining Catches· wing grip, one-sided

24101.0201



Product Description

To be used for door locking, drawers and as handling aid etc.
The retaining catch is indexing 4 x 90°.

Material

Flange

- Zinc die-cast, plastic coated, black

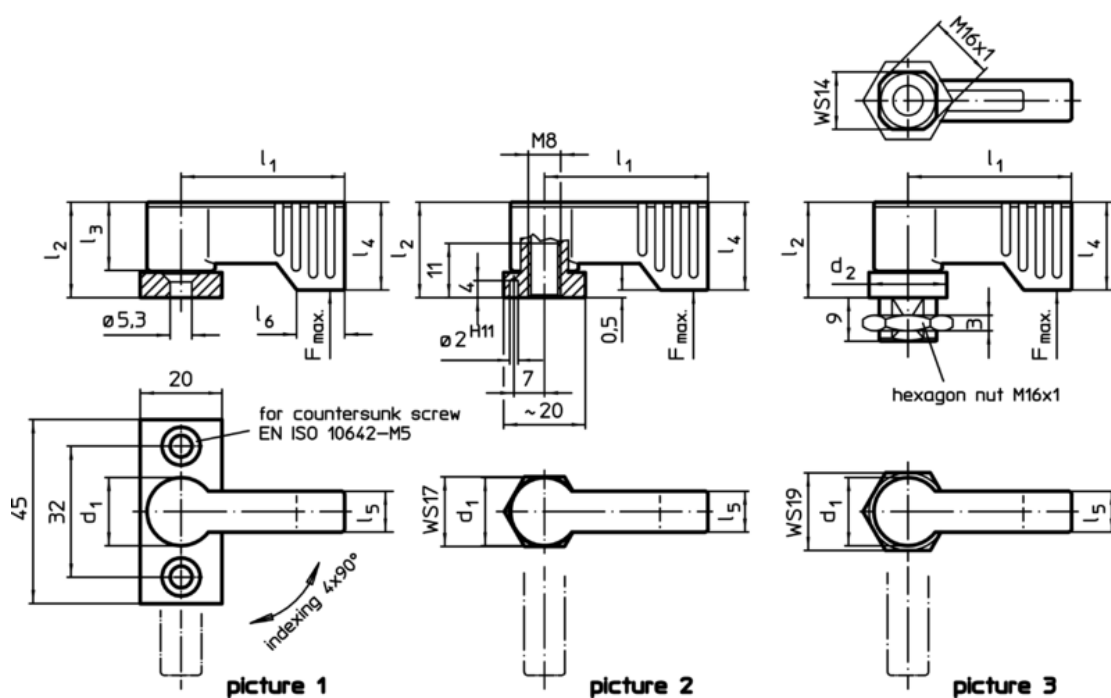
Lever

- Zinc die-cast, plastic coated, silver, similar to RAL 9006, matt structure

Inner parts

- Zinc die-cast

Drawing



Order information

d_1	l_1	l_2	Dimensions				Load capacity max.	[g]	Art. No.
			l_3	l_4 min.	l_5	l_6			
[mm]									
with mounting flange – picture 1, silver									
17	40	22	16,5	21,5	10	11	450	20	24101.0201

Application example

