

Retaining Catches• double-sided

24100.0652

Product Description

To be used for door locking, drawers and as handling aid etc.
The retaining catch is indexing 4 x 90°.



Material

Lever

- Zinc die-cast, black, similar to RAL 9005

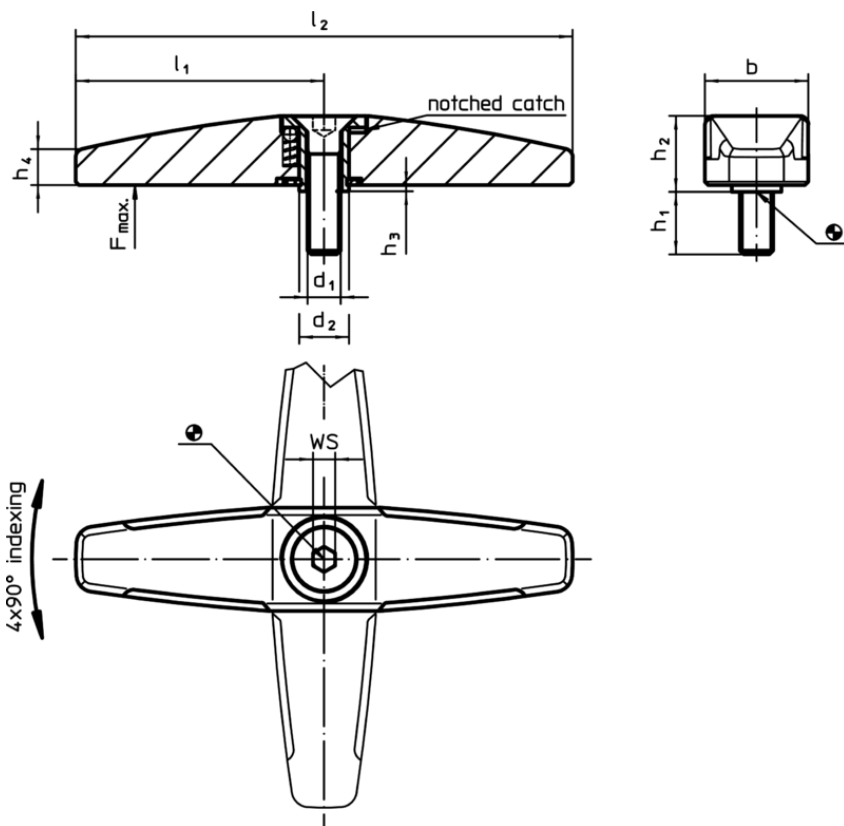
Inner parts

- Dry powdered metal

Screw

- Stainless steel A2 (ISO 10642)

Drawing



Order information

d ₁	d ₂	l ₁	l ₂	Dimensions						WS	Load capacity max.	[g]	Art. No.
				b	h ₁	h ₂	h ₃	h ₄	[mm]				
black													
M8	14	65	130	25,2	14	15,8	0,8	9	5	1000	220	24100.0652	

Application example

