

## Retaining Catches• double-sided

24100.0651

### Product Description

To be used for door locking, drawers and as handling aid etc.  
The retaining catch is indexing 4 x 90°.



### Material

#### Lever

- Zinc die-cast, silver, similar to RAL 9006

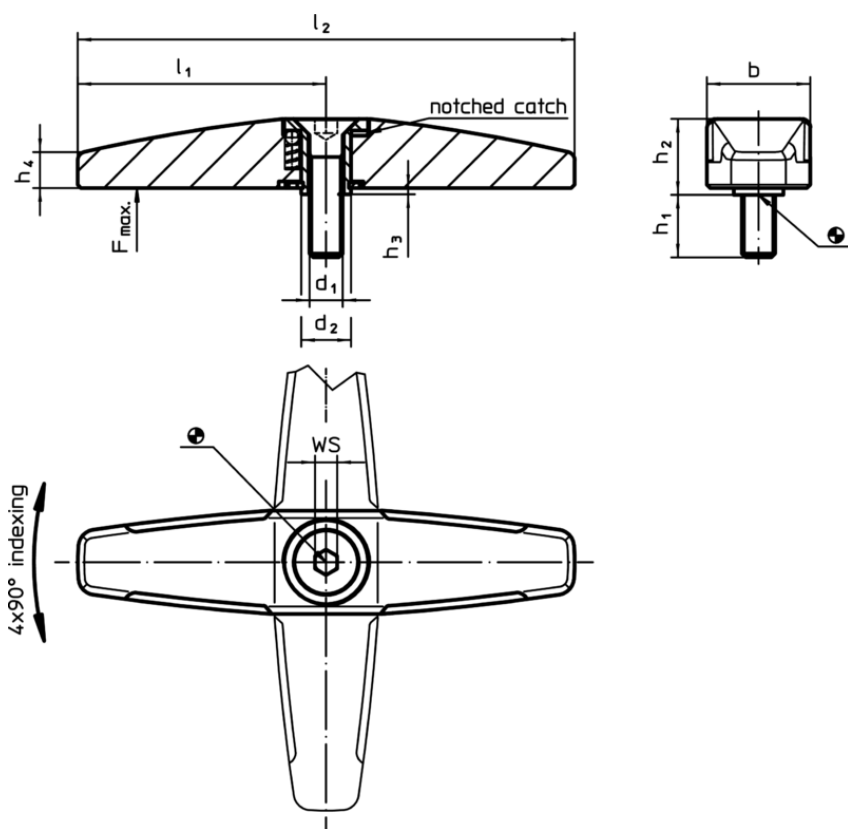
#### Inner parts

- Dry powdered metal

#### Screw

- Stainless steel A2 (ISO 10642)

### Drawing



### Order information

d <sub>1</sub>	d <sub>2</sub>	l <sub>1</sub>	l <sub>2</sub>	Dimensions						WS	Load capacity max.	Art. No.
				b	h <sub>1</sub>	h <sub>2</sub>	h <sub>3</sub>	h <sub>4</sub>	WS			
				[mm]					[mm]	[N]	[g]	
silver												
M8	14	65	130	25,2	14	15,8	0,8	9	5	1000	220	24100.0651

Application example

