

## Retaining Catches• one-sided

24100.0152

### Product Description

To be used for door locking, drawers and as handling aid etc.  
The retaining catch is indexing 4 x 90°.

### Material

#### Lever

- Zinc die-cast, black, similar to RAL 9005

#### Inner parts

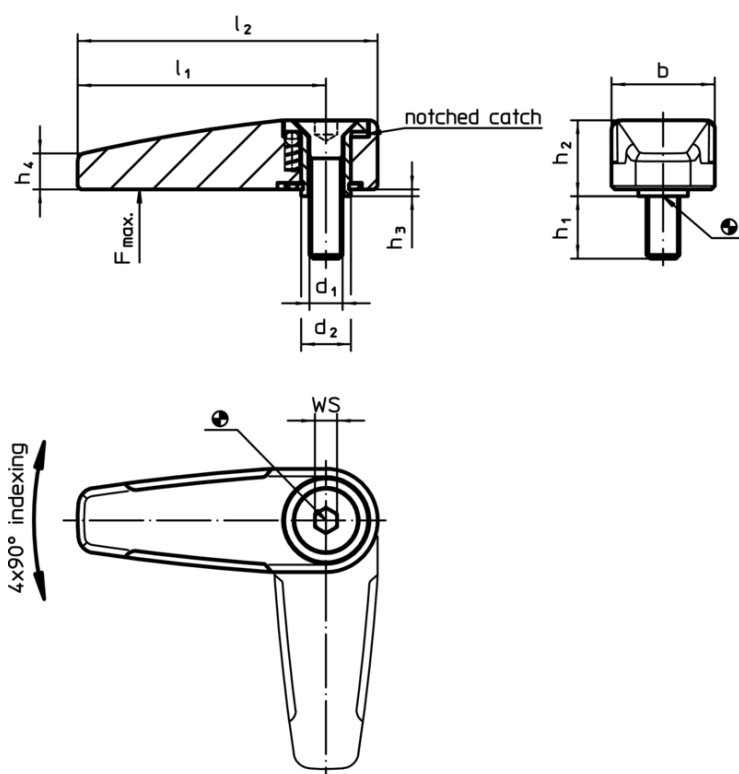
- Dry powdered metal

#### Screw


- Stainless steel A2 (ISO 10642)



### Drawing



### Order information

Dimensions										WS [mm]	Load capacity max. [N]	 [g]	Art. No.
d <sub>1</sub>	d <sub>2</sub>	l <sub>1</sub>	l <sub>2</sub>	b [mm]	h <sub>1</sub>	h <sub>2</sub>	h <sub>3</sub>	h <sub>4</sub>					
black													
M8	14	65	78	25,2	14	15,8	0,8	9	5	1000	136	24100.0152	

Application example

