

Retaining Catches• one-sided

24100.0101

Product Description

To be used for door locking, drawers and as handling aid etc.
The retaining catch is indexing 4 x 90°.

Material

Lever

- Zinc die-cast, silver, similar to RAL 9006

Inner parts

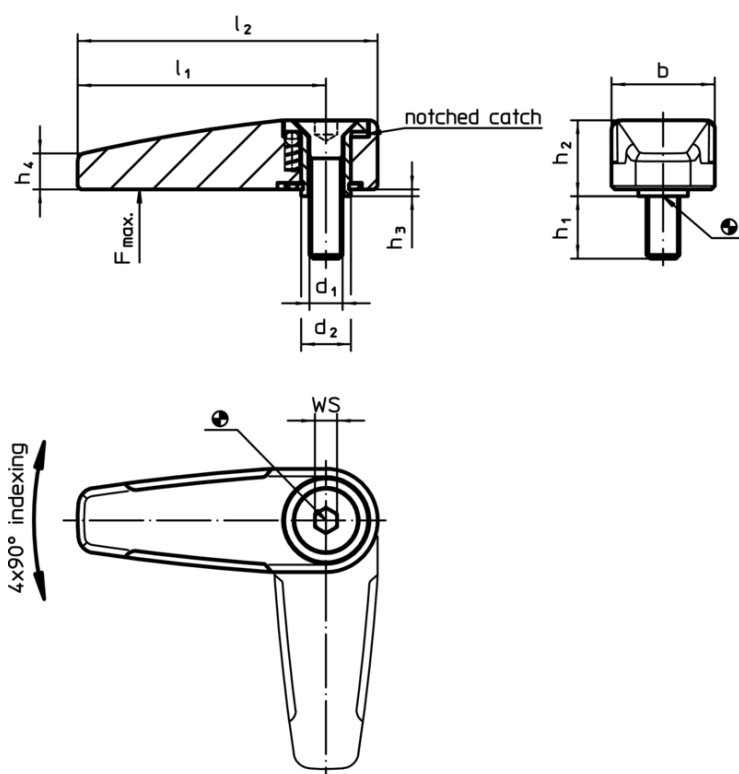
- Dry powdered metal

Screw

- Stainless steel A2 (ISO 10642)



Drawing



Order information

d ₁	d ₂	l ₁	l ₂	Dimensions					WS	Load capacity max.	🔩	Art. No.
				b	h ₁	h ₂	h ₃	h ₄				
[mm]												
silver												
M6	9	45	55	19	12	13,3	0,8	6,5	4	500	59	24100.0101

Application example

