

Base Elements• for location hole

23700.0716



Product Description

Material

Body

- Steel, blackened

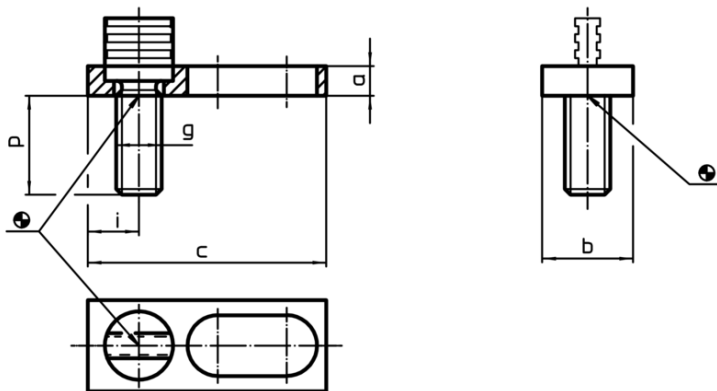
Wearing parts

- Heat-treated steel

Pull-rod

- Special steel

Drawing



Order information

Dimensions						[g]	Art. No.
a	b	c	g	i	p		
12	30	78	M16	14	33	190	23700.0716

Application example

