

Base Elements• for location hole  
23700.0712



Product Description

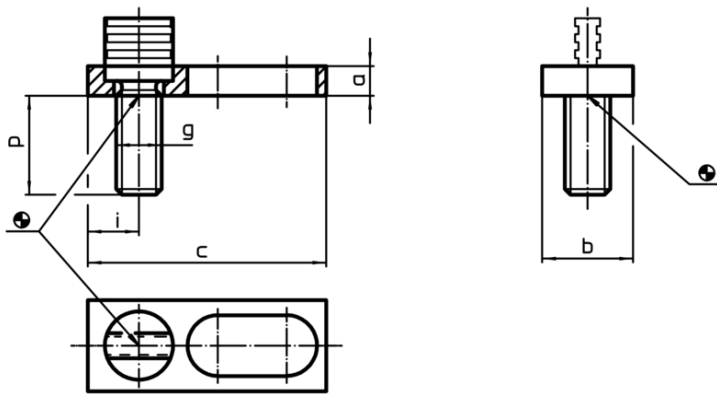
Material

**Body**  
• Steel, blackened

**Wearing parts**  
• Heat-treated steel

**Pull-rod**  
• Special steel

Drawing



Order information

Dimensions						[g]	Art. No.
a	b	c	g [mm]	i	p		
8	25	65	M12	12,5	27	95	23700.0712

Application example

