

Base Elements• low

23700.0612



Product Description

Material

Body

- Steel, blackened

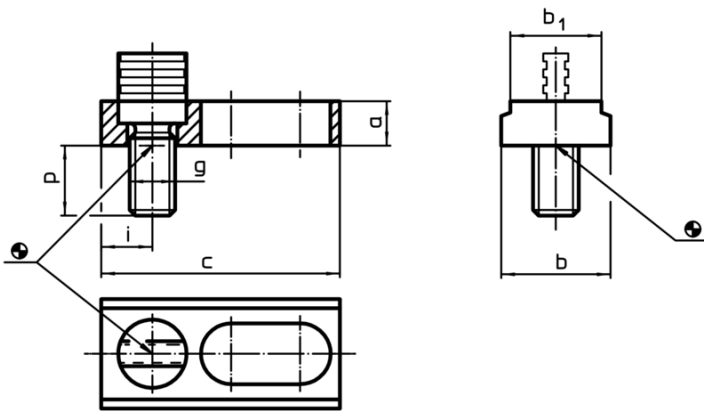
Wearing parts

- Heat-treated steel

Pull-rod

- Special steel

Drawing



Order information

| Dimensions | | | | | | | [g] | Art. No. |
|------------|----|----|----------------|-----|------|----|-----|------------|
| a | b | c | b ₁ | g | i | p | | |
| 12 | 30 | 65 | 25 | M12 | 12,5 | 23 | 146 | 23700.0612 |

Application example

