

Base Elements • swivelling

23700.0412



Product Description

Material

Body

- Steel, blackened

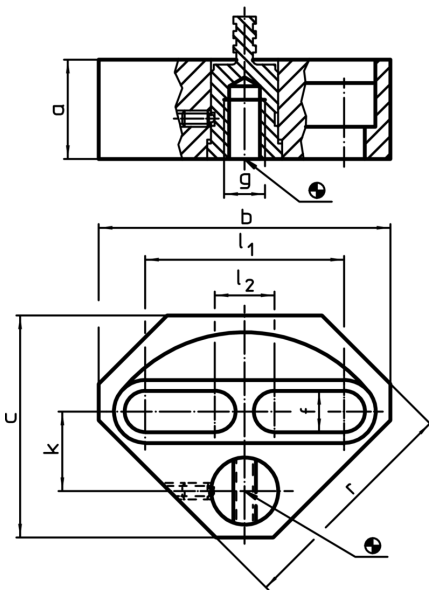
Wearing parts

- Heat-treated steel

Pull-rod

- Special steel

Drawing



Order information

Dimensions										[g]	Art. No.
a	b	c	f	g	k	l ₁	l ₂	r	[mm]		
29,7	90	70	12,5	M12	24	57	25	73		758	23700.0412

Application example

