

Base Elements

23700.0316



Product Description

Material

Body

- Steel, blackened

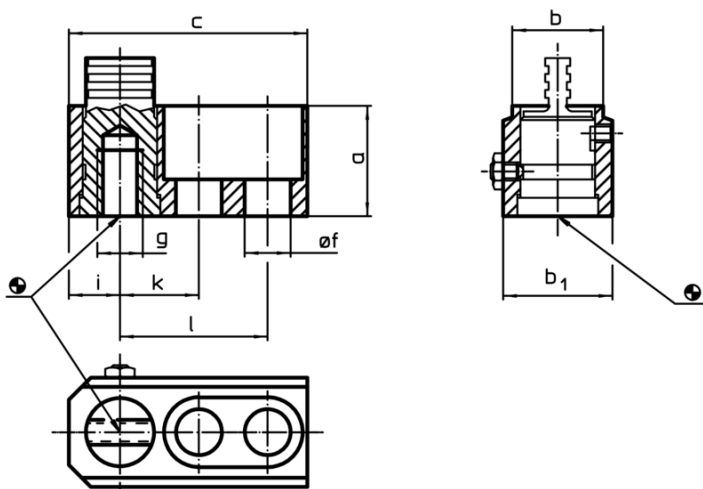
Wearing parts

- Heat-treated steel

Pull-rod

- Special steel

Drawing



Order information

Dimensions										[g]	Art. No.
a	b	c	b ₁	f	g	i	k	l	øf		
40	30	80	40	17	M16	16	25	50		641	23700.0316

Application example

